

TRIUMPH – TR80

Color-Adjustable RGBLA Blended Beam Luminaire

The TR80 is a blended beam theatrical luminaire with an impressive output and spectacular range of colors. With a surprisingly small size and low weight, the TR80 sets the standard for pound-for-pound lighting, benefiting from the state-of-the-art efficiency of Luxium's lighting engine.

Reaching a new level of brightness with blended beam optics the new TRIUMPH-TR80 uses an exclusive mix of quad-chip and separate RGBLA LEDs for a wide-gamut, color-adjustable blended beam. This all aluminum fixture is only 4" in diameter but has more than 4,500 lumens of brightness in a narrow wash 15-degree beam that is equivalent to a 300W incandescent floodlight bulb while using less than 75W of power. With flicker-free video performance and dimming down to 0.1%, you can be confident that TR80 is ready for the demands of professional lighting challenges.



For easy integration into existing lighting systems the TR80 comes ready to run with DMX inputs and can be configured for wireless control using the popular W-DMX system from Wireless Solutions or the Luxium designed ZMX system for wireless DMX control. The TR80 has many uses on the stage and at events in retail or hospitality places or as part of a grand architectural lighting system.

KEY FEATURES

- Blended beam mixed-color LED luminaire in compact aluminum housing
- No flicker, high resolution dimming down to 0.1%
- Wide gamut output of any color or calibrated white CCTs with smooth dimming to 0.1%
- High quality color rendering >90CRI with adjustable beam angles and uniform color-mixing
- Consumes only 75W of power for 4,500 lumens of full-white output, advanced cooling extends LED life

OPTICAL

- Xxx lux @ 2M
- Wide color gamut and whites from 2400K to 6500K with calibrated CCT points having up to 97 CRI
- 14,400 Hz Digital dimming from 100% to 0.1% (not compatible with line-power dimming circuits)
- Standard 15-degree beam with diffuser options for uniform spot or floodlight illumination

CONTROL

- Wireless or wired control for DMX systems or utilize convenient pre-set operating modes
- Wireless range to 1,500 feet using 2.4GHz spread-spectrum modulation.
- Back plate configurable for: DIP switch, RJ45 connectors, power connector, DMX wireless antenna

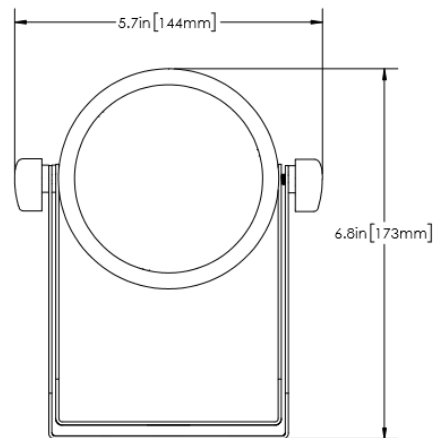
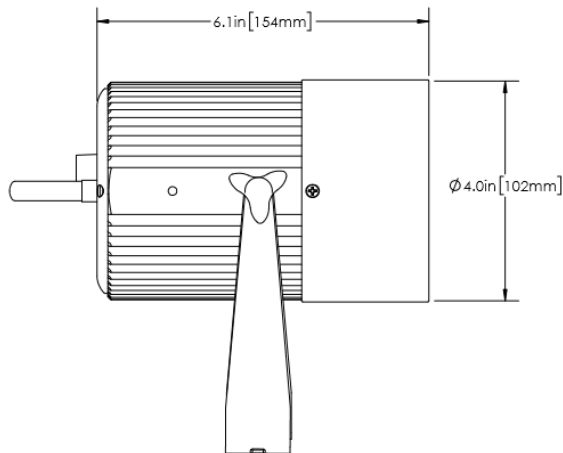
ELECTRICAL / MECHANICAL

- Very high efficacy in a color adjustable LED luminaire consuming 75W maximum
- Designed for safety and reliability with more than 60K hours of L70 LED life and IP20 rating
- Durable machined aluminum housing w/finned heat exchanger for cool long-life operation.
- User configurable with dual yokes and interchangeable diffusers.
- Interchangeable front housing provides alternative beam qualities, such as reduced glare, mixed colors.

SPECIFICATIONS

| MECHANICAL / ENVIRONMENTAL | |
|-------------------------------|--|
| Cooling System | Thermistor controlled active convection |
| Housing Material | Aluminum w/anodized coating |
| Lens Material | AG Coated Glass |
| Size (Dia. X Length) | 4.0 in. (102mm) X 6.1 in. (155mm) |
| Weight | 3.5 lb |
| Operating Temperature Range | -10°C - 40°C (105°F) |
| ELECTRICAL | |
| Max Power Consumption (Watts) | 75.0 W |
| Current max (A) | 0.3A @ 115V |
| Voltage (operating range) | 85 - 264 VAC, 60/50Hz / 100 – 370 VDC |
| Remote Communication methods | 4-channel DMX512 with RJ45 or wireless DMX control |
| Operating Modes | |
| Blended-Color | 4-channel DMX512 |
| Selectable-White | 12 – Pre-set Calibrated CCT's |
| Selectable-Color | 16 – Pre-set Static Colors using RGLW |
| Color-Mixer | 6-channel DMX512 |
| Ballyhoo | 8 pre-programmed sequences |

DIMENSIONS



Back-panel configuration depends on choice of connection options that include:

- AC Power
- Wired (RJ45) or wireless DMX receiver
- DIP switch or Bluetooth mode settings

