

TRIUMPH – TR30

Adaptable Full-Color LED DMX Luminaire



The Luxium™ TR30 is a unique LED lighting fixture with a DMX control system that merges an innovative high-output lighting module using 12 multi-color LEDs and efficient color-adjustment technology inside a traditional PAR Can form factor. With a rugged aluminum enclosure, small size and light weight the TR30 is great for lighting up events, performances and architectural spaces, wherever high-quality directional lighting with remote control is needed. Control with Bluetooth, wired or wireless DMX.

KEY FEATURES

- High-performance mixed-color RGLW LED fixture in compact 4" diameter housing
- No flicker and full-range output of any color or calibrated white CCTs with smooth dimming
- Wireless or wired control for DMX systems or utilize pre-set operating modes
- High quality color rendering with adjustable beam angles and uniform color-mixing
- Only 22W of power for 1800 lumen full-white output, advanced cooling extends LED life

OPTICAL

- Multiple life-time calibrated CCT points with up to 97 CRI human-centric white light
- Proprietary 6-channel color LED control system for industry-leading color tuning
- Twelve high-intensity LEDs with greater than 80 lumens/Watt lighting performance
- Standard 19-degree beam with diffuser options for uniform spot or floodlight illumination

CONTROL

- Wired control with DMX512 interface or wireless Bluetooth control with mobile phone app.
- Wireless DMX control (AX1) with embedded receiver for control of individual or groups of lamps
- Wireless range to 500 meters using spread-spectrum modulation and proprietary encoding to produce a strong link with low error rate even in presence of other 2.4GHz equipment.
- Standalone operation capability with DIP switch for preset color modes and sequences
- Digital dimming from 100% to 0.1% (not compatible with line-power dimming circuits)

ELECTRICAL

- AC or DC operation with 85-264VAC / 50-60Hz, 100-370VDC
- 22W maximum power consumption
- Designed for safety and IP20 rating suitable for damp environments

MECHANICAL

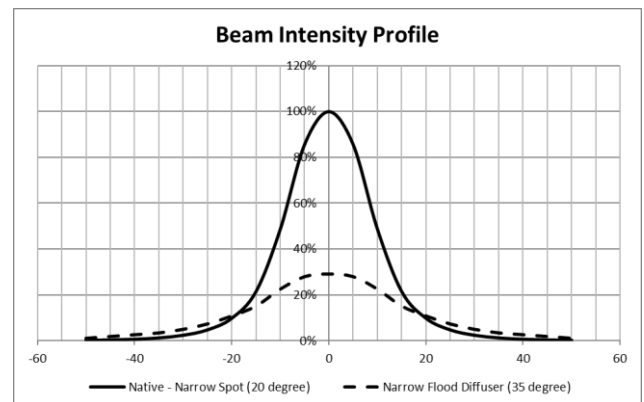
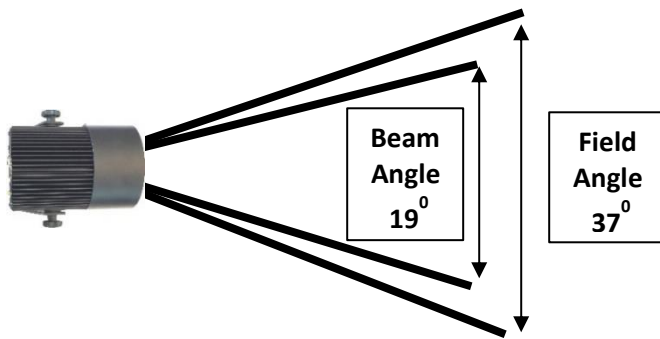
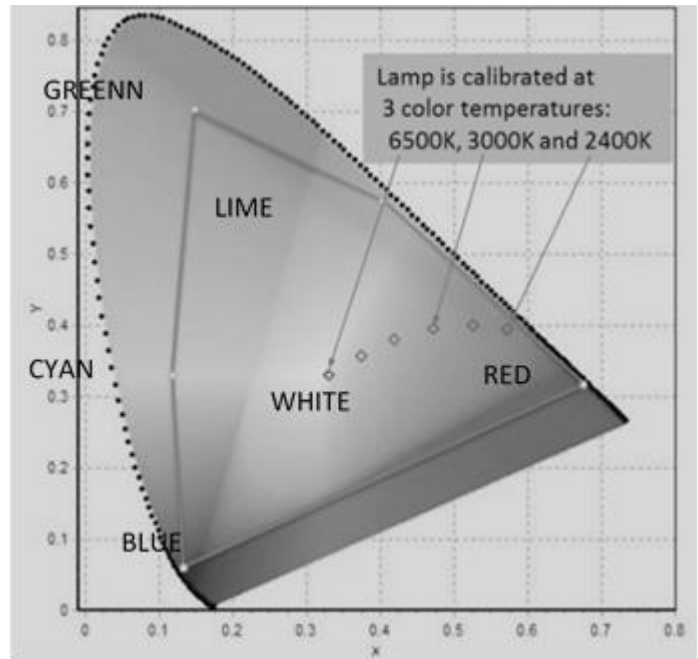
- Cylindrical 4" tube with dual yokes for mounting and handling
- Durable aluminum housing w/finned heat exchanger built into housing for cool operation.
- Back plate interface with: DIP switch, RJ45 connection, Power socket, DMX wireless antenna
- Interchangeable diffuser options
- Designed for over 30,000 hours of operation

SPECIFICATIONS

Operating Modes	
Blended-Color	4-channel DMX512
Selectable-White	Static CCT's
Selectable-Color	Static RGLW
Built-in programs (# modes & sequences)	16 fixed colors + 16 sequences
Beam Output and Shape	
Max White Flux (lumens)	1800
Max White Illuminance (Lux@2m)	2569
Calibrated CCT levels using RGBW LED emitters	2400K, 2700K, 4500K, 6500K
Beam@FWHM /Field angle (degrees)	19 / 37
Beam angle w / Optional diffusers	24, 29, 47, Broad, Oval
LED emitters (custom 6-ch system)	12 x 3W RGBCLW
Beam width (meters) @ 3.0m (10')	1.3m
Mechanical	
Cooling	Active convective
Housing Material	Aluminum
Lens Material	Glass
Weight	1.2 kg (2.7 lb.)
Max Ambient Operating temperature	40°C (105°F)
Electrical	
Current max (A)	0.4A @110V
Voltage (operating range)	110/240 VAC, 60Hz
Power Consumption (Watts)	0.1W to 22W
Efficacy (lumens/watt)	>80 L/W
Remote Communication methods	4-channel DMX512
Remote Communication Method	Wireless DMX

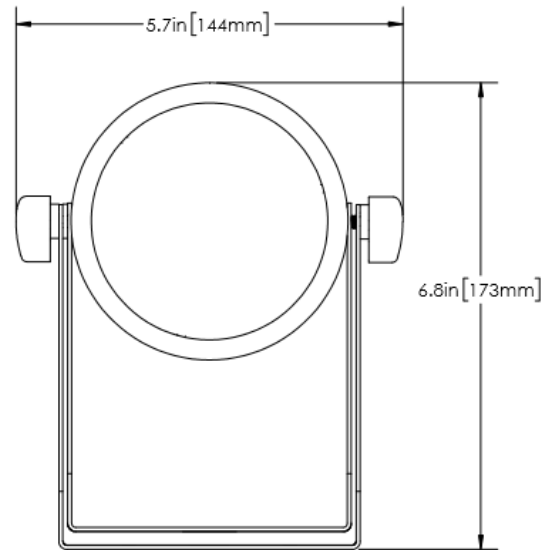
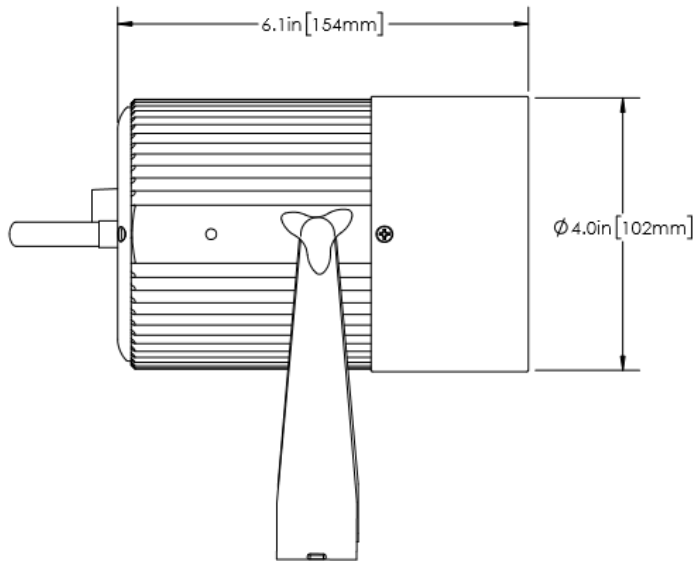
PHOTOMETRICS

Color Point	Flux	Illuminance
	Field Lumens	LUX@2m
Red	400	2390
Green	410	2464
Blue	170	1000
Full RGBCLW	1800	2569
2400K CCT	1210	1830
2700K CCT	1117	1693
3000K CCT	1056	1600
4500K CCT	873	1323
6500K CCT	1316	1993



Note: Full photometric data available on request

DIMENSIONS



WIRELESS SYSTEM OPTIONS:



Wireless Bluetooth Control to set address and control features.



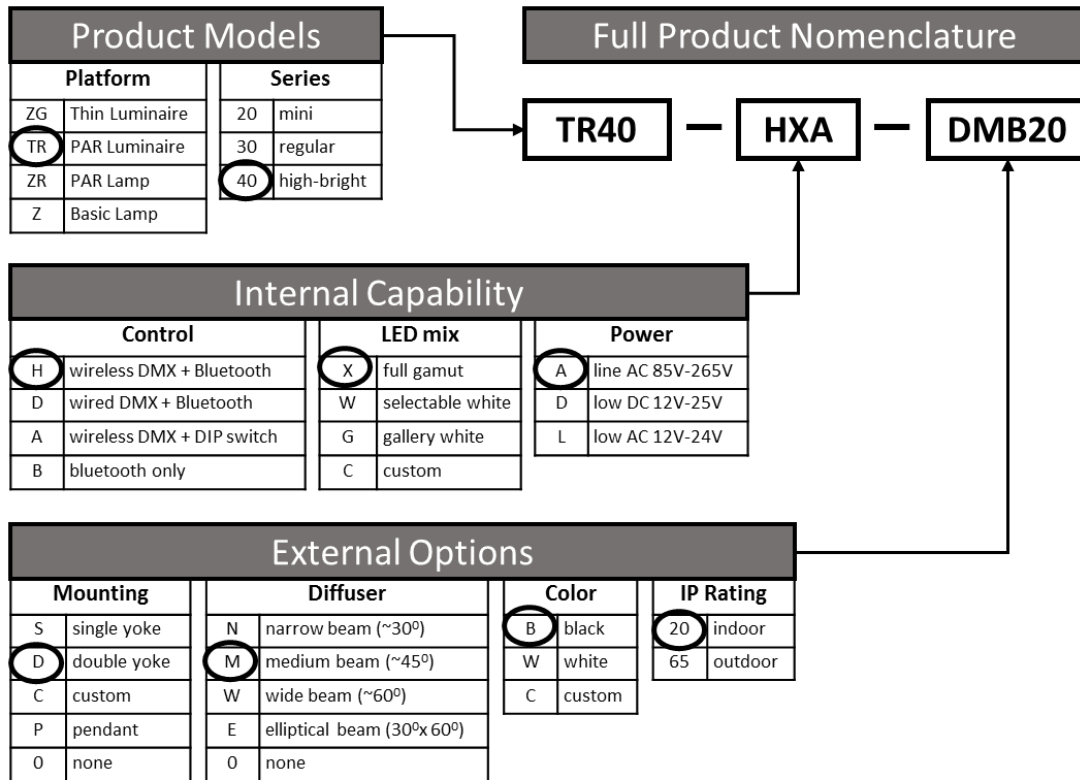
Bluetooth App by Luxium Android or Apple iOS. Control with pre-set static colors and sequences or adjust with color wheel/slider interface. Able to turn-on with saved color.

Wireless DMX
Frequency Range: 2.4 GHz – 2.2483 GHz (ISM)
Frequency Agile: Adaptive
Broadcast Power: Variable
FCC, IC, CE Certified: Yes
Transmitter IP Rating: IP44
Transmitter Range: 1,500 ft open air

Multiple TR30-AX1 lamps can be configured to work with the Luxium ZMX transmitter for full DMX512 control

ORDER CODES:

EXAMPLE



Note: Not all combinations are possible. Contact Luxium for details on how to configure the different features

NOTES: