

TRIUMPH – TR40

Adaptable Full-Color LED DMX Luminaire

The Luxium™ TR40 is a very compact high-fidelity LED lighting fixture made for use as a wash-light, flood-light or house-light. It has a DMX control system that merges an innovative high-output lighting module and efficient color-adjustment technology inside a traditional PAR Can form factor. With a rugged aluminum enclosure, small size and light weight the TR40 is great for lighting up events, performances and architectural spaces or wherever high-quality directional lighting with remote operation is needed. It's powerful enough to replace 200W halogen PAR38 bulbs and is twice as bright as other color LED luminaires using the same power.



KEY FEATURES

- High-performance mixed-color RGBLW LED luminaire in compact aluminum housing
- No flicker and full-range output of any color or calibrated white CCTs with smooth dimming to 0.1%
- Wireless or wired control for DMX systems or utilize convenient pre-set operating modes
- High quality color rendering >90CRI with adjustable beam angles and uniform color-mixing
- Consumes only 35W of power for >3000 lumens of full-white output, advanced cooling extends LED life

OPTICAL

- 19 high-performance LEDs in custom designed highly-efficient optical system
- Human-centric white light with multiple life-time calibrated CCT points having up to 97 CRI
- Proprietary 6-channel color LED control system for industry-leading color tuning
- Standard 16-degree beam with diffuser options for uniform spot or floodlight illumination

CONTROL

- Wired or wireless DMX512 interface or wireless Bluetooth control using mobile phone app.
- Wireless range to 500 meters using spread-spectrum modulation and proprietary encoding to produce a strong link with low error rate even in presence of other 2.4GHz equipment.
- Standalone operation capability with DIP switch for preset color modes and sequences
- Digital dimming from 100% to 0.1% (not compatible with line-power dimming circuits)

ELECTRICAL

- Available with AC or DC operation and built-in power supply
- Very high efficacy in a color adjustable LED luminaire consuming 33W maximum
- Designed for safety and reliability with more than 60K hours of L70 LED life and IP20 rating

MECHANICAL

- Durable machined aluminum housing w/finned heat exchanger for cool long-life operation.
- User configurable with dual yokes and interchangeable diffusers.
- Back plate configurable for: DIP switch, RJ45 connectors, power connector, DMX wireless antenna
- Interchangeable front housing provides alternative beam qualities, such as reduced glare, mixed colors.

SPECIFICATIONS

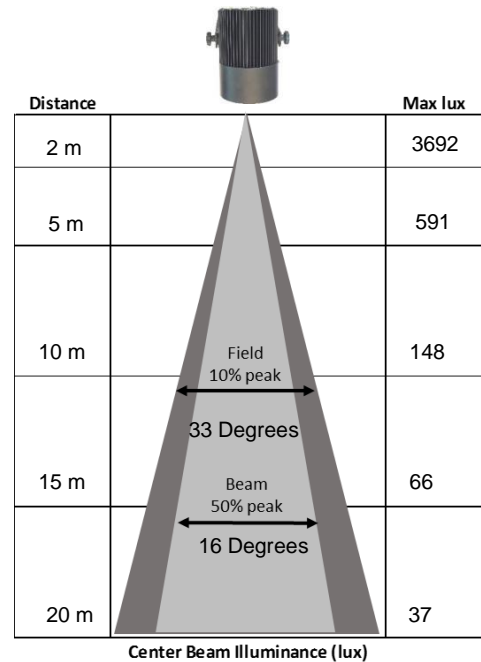
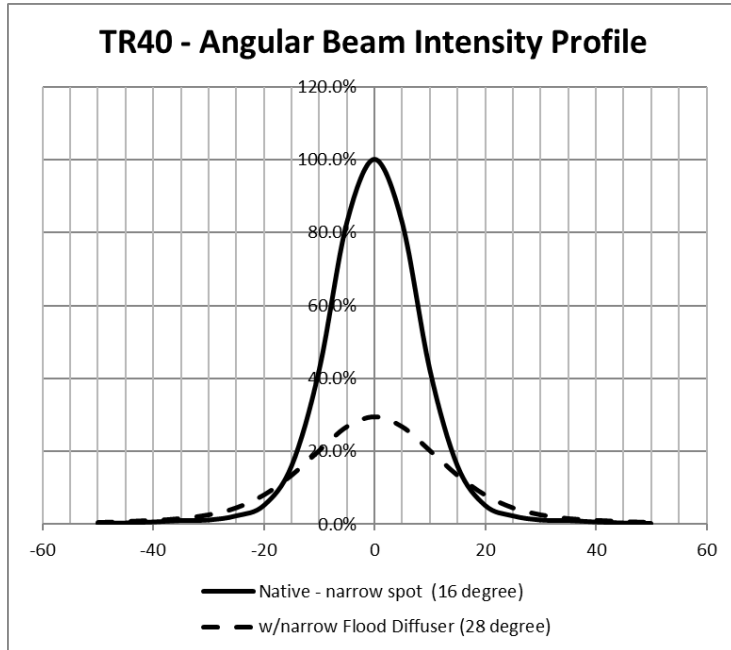
MECHANICAL / ENVIRONMENTAL	
Cooling System	Thermistor controlled active convection
Housing Material	Aluminum w/anodized coating
Lens Material	AR Coated Glass
Size (Dia. X Length)	4.0 in. (102mm) X 6.1 in. (155mm)
Weight	1.2 kg (2.7 lb.)
Operating Temperature Range	-10°C - 40°C (105°F)
ELECTRICAL	
Max Power Consumption (Watts)	35.0 W
Current max (A)	0.3A @115V
Voltage (operating range)	85 - 264 VAC, 60/50Hz / 100 – 370 VDC
Remote Communication methods	4-channel DMX512 with RJ45 or wireless DMX control
Operating Modes	
Blended-Color	4-channel DMX512
Selectable-White	12 – Pre-set Calibrated CCT's
Selectable-Color	16 – Pre-set Static Colors using RGLW
Color-Mixer	6-channel DMX512
Ballyhoo	8 pre-programmed sequences

ILLUMINANCE SUMMARY TABLE

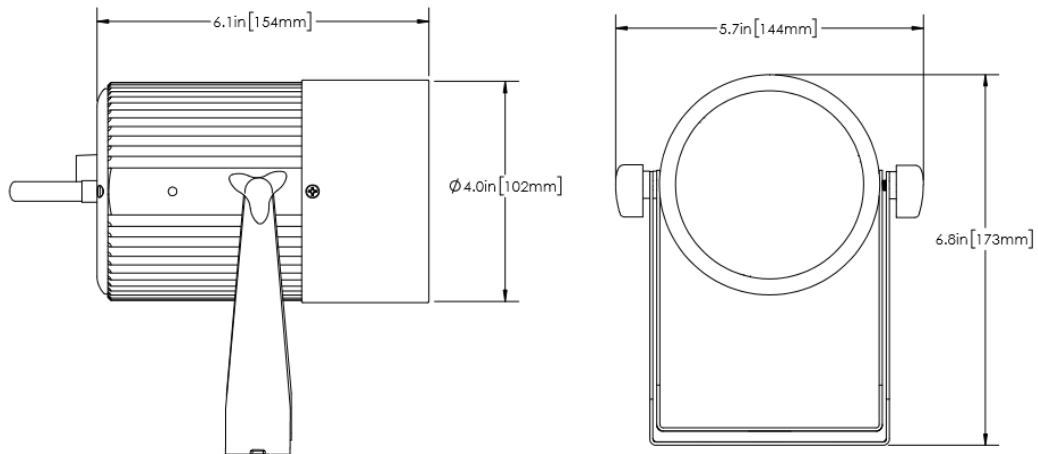
Distance	(meters)	1	2	3	5	10	15	20
Beam Spread	(meters)	0.28	0.56	0.84	1.41	2.81	4.22	5.62
Coverage	(sq meter)	0.06	0.25	0.56	1.55	6.21	14.00	24.80
Avg. Intensity	(white lux)	10,336	2,584	1,148	413	103	46	26
Center Beam	(white lux)	14,768	3,692	1,641	591	148	66	37

Note: Full data available on request

BEAM PROFILE



DIMENSIONS



Back-panel configuration depends on choice of connection options that include:

- AC and/or DC Power
- Wired (RJ45) or wireless DMX receiver
- DIP switch or Bluetooth mode settings



WIRELESS COMMUNICATION OPTIONS:

The TR40 is available with a range of control options using both wireless and wired communication methods.

1. The basic configuration is the wired DMX connection on the backplate that uses an RJ45 connector for CAT5 cables that are used for DMX signals. Normally the user adds a patch cord with RJ45 on one end and an XLR connector on the other end to plug into the kind of DMX XLR cables being used. A DIP switch is available on the back panel for setting the DMX address or for static color settings.
2. For wireless DMX control the light can be configured with an internal DMX radio module and external antenna that works as the interface for DMX control. A compatible wireless DMX transmitter is used to complete the communication path back to the users DMX control console. A DIP switch is available on the back panel for setting the DMX address or for static color settings.
3. For wireless Bluetooth control the light can be configured with an internal Bluetooth module that communications with a mobile phone device (Android or iOS) using the free light control app from Luxium. In this configuration the light is controlled with Bluetooth only.
4. For wireless DMX combined with Bluetooth control the light can be configured with both the wireless DMX radio module and a Bluetooth module. The Bluetooth system is used to set the DMX address or can to set static color modes or control color selection with the mobile phone app from Luxium. If DMX control is desired the app can be used to set the light into DMX control mode for use on a typical DMX network the communicates wirelessly from the compatible wireless DMX transmitter.



Wireless Bluetooth

May be used to set DMX address and/or directly control features.



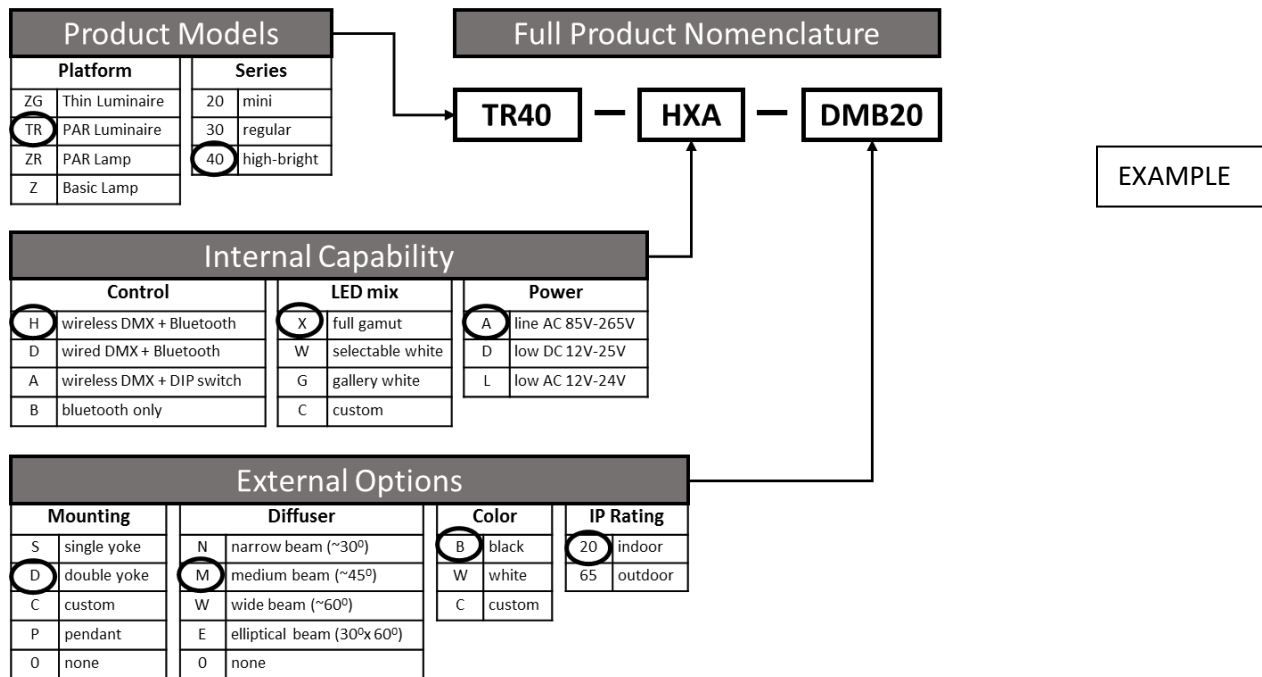
Bluetooth App by Luxium Android or Apple iOS. Control with pre-set static colors and sequences or adjust with color wheel/slider interface. Able to turn-on with saved color. The mobile phone app can be used to set the DMX address and switch the light into DMX mode if a DMX system is installed.

Wireless DMX

Frequency Range: 2.4 GHz – 2.2483 GHz (ISM)
RF System: DSSS 802.15.4
Broadcast Power: +20dBm max
FCC, IC, CE Certified: Yes
Transmitter IP Rating: IP44
Transmitter Range: 1,500 ft open air

Multiple TR40-AX1 lamps can be configured to work with the transmitter for full DMX512 control

ORDER CODES:



EXAMPLE

Note: Not all combinations are possible. Contact Luxium for details on how to configure the different features

NOTES:

Copyright Luxium Lighting all rights reserved. While every effort has been made to be sure the information is correct, Luxium accepts no liability for errors or omissions. We constantly aim to develop better products and we reserve the right to amend or alter at any time and without prior notice, the specifications of any product. Technical specifications and data are provided for guidance only. Contact Luxium at info@luxium.co for more detailed information.